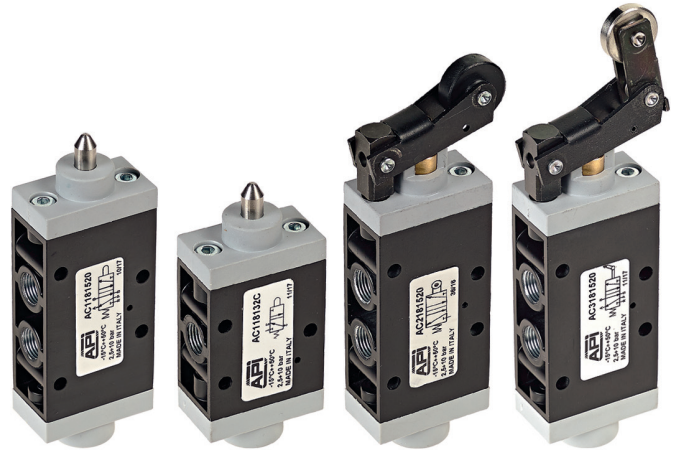


Mechanically operated valves Ø 4 and 1/8''

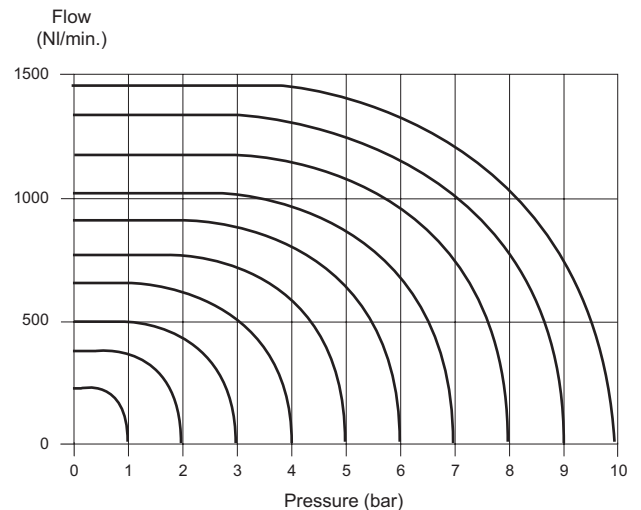
1/8'', 3/2 normally closed and 5/2 single stable position



Standard executions			
Version	Symbol	Code	Item
3/2, with plunger, N.C.		032600	AC118132C
5/2, with plunger, 1 position		032640	AC1181520
3/2, with bi-directional lever and roller, N.C.		032680	AC218132C
5/2, with bi-directional lever and roller, 1 position		032720	AC2181520
3/2, with uni-directional lever and roller, N.C.		032700	AC318132C
5/2, with uni-directional lever and roller, 1 position		032740	AC3181520



Series of spool valves mechanically operated (plunger, bi-directional and uni-directional lever)

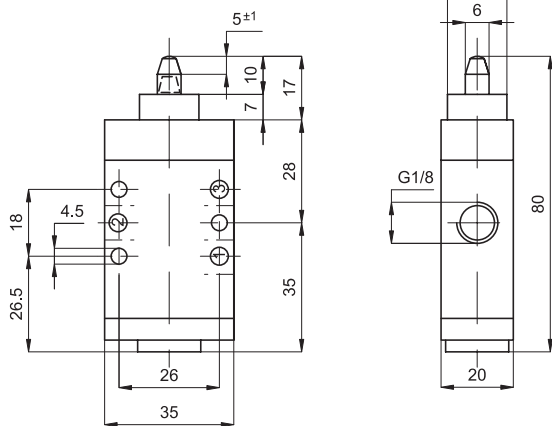


Technical data	
Fluid	Compressed filtered air with or without lubrication. Lubrication, if started, must be continued.
Pressure range	0 ÷ 8 bar
Temperature range	-20 °C ÷ + 80 °C
Orifice	6 mm
Flow	900 NI/min
Connections	1/8''
Fixing	Through holes on the body
Mounting	In any position
Materials	Body: Painted die-cast aluminium Heads: Plastic Seals: Nitrile rubber (NBR)

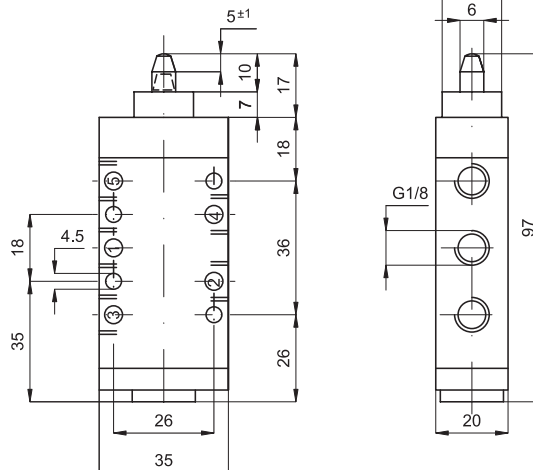
Mechanically operated valves $\varnothing 4$ and $1/8''$
 $1/8''$, $3/2$ normally closed and $5/2$ single stable position



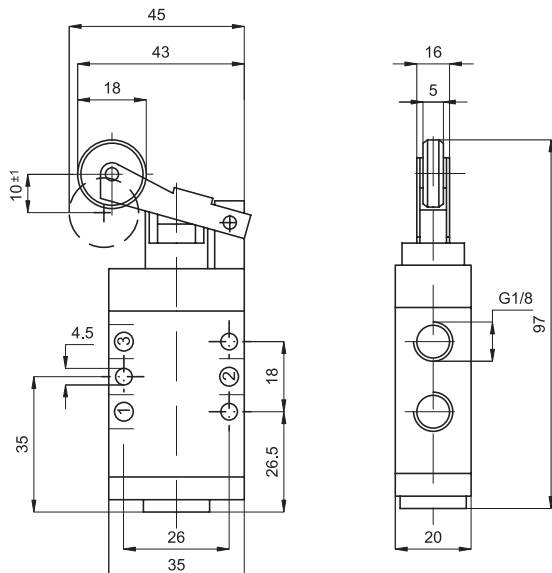
Type: **AC118132C**



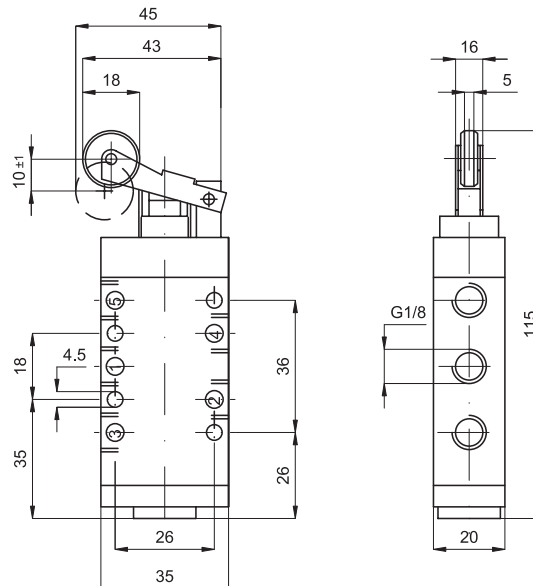
Type: **AC1181520**



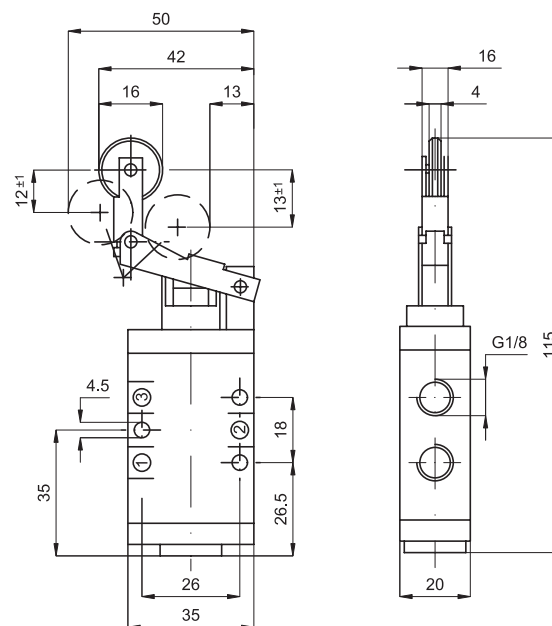
Type: **AC218132C**



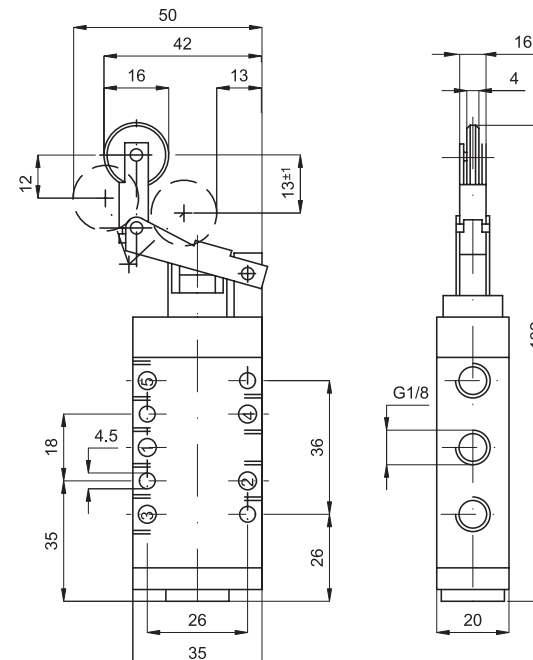
Type: **AC2181520**



Type: **AC318132C**



Type: **AC3181520**



2