

Standard executions			
Version	Symbol	Code	Item
M5		030806	7VSR
1/8"		030801	1VSR
1/4"		030802	2VSR
3/8"		030803	3VSR
1/2"		030804	4VSR
3/4"		030805	5VSR
3/4" maxi		030807	5VSRM
1" maxi		030808	6VSRM



Series of quick exhaust valves used to increase the speed of a cylinder.

The valve must be mounted directly on the port of the cylinder to achieve the maximum possible speed.

When the supply is in P the diaphragm closes the exhaust R and so the air flows through A into the chamber of the cylinder. When the supply in P fails the diaphragm closes P and this is due to the exhaust air from A to R. The noise of the exhaust can be reduced by a silencer.

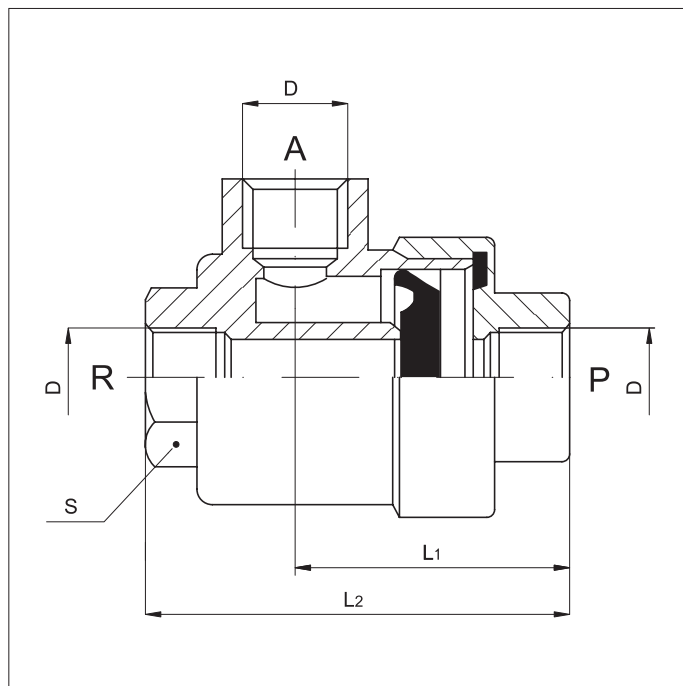
For silencers see from page 4.0

How to order: 2VSRV

Options		Suffix
Seals FKM	-10 ÷ +150°C	V
Threaded NPT		NPT
Low temperature seals	-25 ÷ +70°C	BT

2VSR	V
Version	Option

Technical data							
Fluid	Compressed filtered air with or without lubrication.						
Pressure range	1 ÷ 10 bar						
Temperature range	-20°C ÷ +70°C (standard)		-10°C ÷ +150°C (V)			-25°C ÷ +70°C (BT)	
Orifice (mm)	M5 = 4	1/8" = 6	1/4" = 8,5	3/4" = 8,5	1/2" = 15	3/4" = 18	1" = 24
Flow da P at A (NI/min at 6 bar)	310	1170	3200	3600	5900	3100 (a 3 bar)	-
Flow da A at R (NI/min at 6 bar)	310	1400	3300	3780	7500	6300 (a 3 bar)	-
Mounting	Preferably directly on the port of the cylinder						
Materials	Body:	Nickel-plated brass					
	Diaphragm:	Standard Polyether (NBR only for M5)					
		Option (V): FKM					
	Washer:	Hytrek 55 D					



D	L1	L2	S
1/8"	30	46	14
1/4"	35	53	17
3/8"	37	57	21
1/2"	45	73	26
3/4"	55	90	32
M5	17	25	10
3/4" MAXI	71	110	46
1" MAXI	71	110	46

Seal kit

Valve code	Polyurethane seal code	FKM seal code	Washer code	Polyurethane seals kit code	FKM seals kit code
030806	030906	-	030913	-	-
030801	030901	030909	038018	038061	038062
030802 / 030803	030902	030903	038019	038063	038064
030804	030904	030910	038020	038065	038066
030805	030905	030908	038021	038067	038068
030807 / 030808	030907	030911	038026	038069	038070